

Air Top 2000 STC

Air heater (diesel / gasoline)



Cab heating, fuel savings and emissions reduction

The Air Top 2000 STC is the most popular choice in idle reduction technology. Millions are being used in various applications around the world. Perfect for bunk heating, the Air Top 2000 STC gets the job done with up to 7,000 BTU/h (2 kW) of heat output. This compact unit is low on maintenance, service-friendly and the most efficient air heater on the market. The Air Top 2000 STC can pay for itself within months.

Air heater features:

- Provides rapid cab heat without idling
- Warm work area ideal for driver and storage (tools, cargo, etc.)
- High heat output in a compact design
- Quiet operation
- Reduced emissions = cleaner work environment
- Full diagnostics with PC interface available
- Low fuel consumption
- Proven quality and reliable performance
- Fast return on investment



Material handling



Airport



Specialty vehicles



Agriculture



Recreational vehicles



Off-highway



Bus



Marine



Light duty vehicles



Truck

Technical specifications

Air Top 2000 STC	
Heating capacity	3,100 – 7,000 BTU/h (0.9 – 2.0 kW)
Fuel	Diesel / Gasoline
Fuel consumption	0.03 – 0.06 gal/h (0.12 – 0.24 l/h)
Rated voltage	12 or 24 V
Operating voltage range	10.5 – 16 or 21 – 32 V
Power consumption	1.25 – 2.45 Amps (14 – 29 Watts)
Air flow	55 cfm (93 m ³ /h)
Dimensions (L x W x H)	12.25 x 4.78 x 4.85 in (311 x 120 x 121 mm)
Weight	5.73 lbs (2.6 kg)

Available Air Top 2000 STC Heater Kits:

Air Top 2000 STC diesel kit with SmarTemp Control 3.0 Bluetooth - P/N: 5013913

Air Top 2000 STC diesel kit with SmarTemp Control 3.0 - P/N: 5013912

Air Top 2000 STC diesel kit with Rheostat - (12 V) - P/N: 5012550
(24 V) - P/N: 5012553

Air Top 2000 STC diesel light/medium duty kit (12 V) - P/N: 5012557

Air Top 2000 STC gasoline light/medium duty kit (12 V) - P/N: 5012558

Air Top 2000 STC gasoline ProMaster Transit Van kit (12 V) - P/N: 5013365

Optional Accessories:

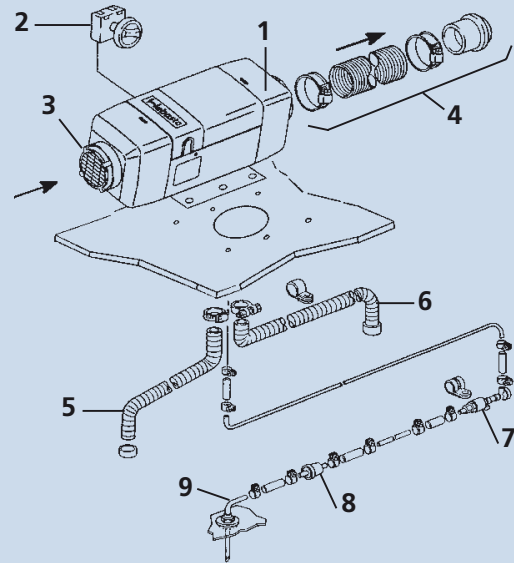
SmarTemp Control 3.0 Bluetooth:

Part number 5013874

- Same features as SmarTemp 3.0
- Bluetooth connection to SmarTemp 3.0 App
 - View diagnostic information
 - Manage & control heater function
 - Link to techwebasto.com
 - Program settings of multiple units



System schematic

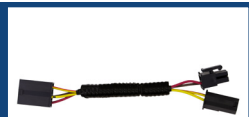


- | | |
|----------------------------|-----------------------|
| 1. Air Top 2000 STC heater | 6. Exhaust outlet |
| 2. Control dial | 7. Fuel metering pump |
| 3. Cold air inlet | 8. Fuel filter |
| 4. Hot air outlet/ducting | 9. Fuel standpipe |
| 5. Combustion air inlet | |

Upgrade from Rheostat to the NEW SmarTemp Control 3.0 with adapter harness 5013929



Upgrade from SmarTemp 2.0 to the NEW SmarTemp Control 3.0 with adapter harness 5013931



Air Top 2000 STC Spec Sheet



Contact

webasto.com